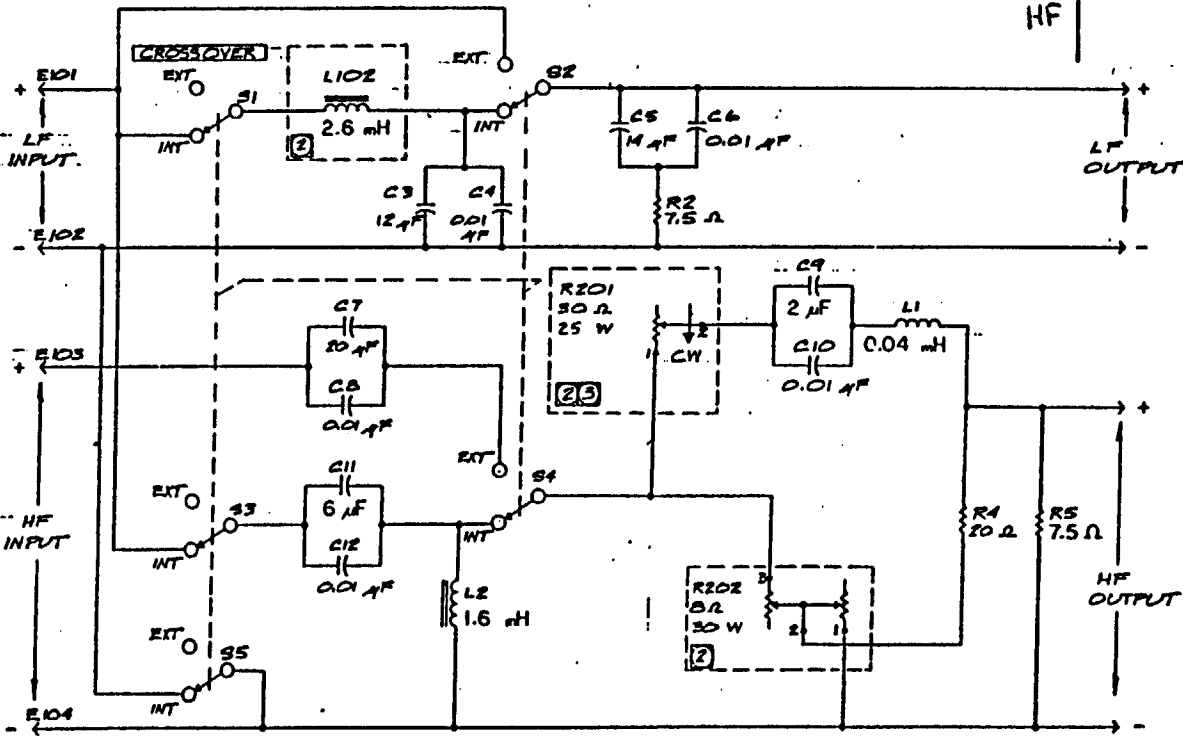


THIS DRAWING AND SPECIFICATIONS ARE THE PROPERTY OF JAMES B. LANSING SOUND, INC. AND ARE MADE ON STRICT CONFIDENTIALITY AND SHALL NOT BE REPRODUCED COPIED OR USED AS THE BASIS FOR MANUFACTURE OR SALE OF APPARATUS WITHOUT WRITTEN PERMISSION.

REVISIONS						
CHG	NO	DESCRIPTION	DRFT	CHK	DATE	APP
-	-	SEE SHEET ONE	CD	AL	11/16/61	WJH

8Ω	500	1.5K	8K
LF	-2	-15	-
HF		-15	-11



SIMPLIFIED SCHEMATIC

See attached parts list for part numbers.

NOTES:

ITEM	PART NO.	DESCRIPTION	QTY	REMARKS
BILL OF MATERIAL				
<small>UNLESS OTHERWISE SPECIFIED DIMENSIONS ARE IN MILLIMETERS (INCHES) DIMENSIONS IN BRACKETS ARE IN INCHES (MILLIMETERS)</small> TOLERANCES: FRACTIONS DECIMALS ANGLES 1/16" 0.0015" 1/4" 0.0025" 1/2" 0.0050" 1" 0.0100" 1.5" 0.0150" 2" 0.0200" 3" 0.0300" 4" 0.0400" 6" 0.0600" 8" 0.0800" 10" 0.1000"		DRAWN BY: J. B. LANSING CHECKED BY: J. B. LANSING DATE: 11/16/61 SCALE: AS SHOWN SHEET 2 OF 2		
JAMES B. LANSING SOUND, INC. A Heerman's subsidiary of Corning Hawthorne, California 90222 U.S.A.		TITLE: SCHEMATIC-3134 DRAWING NO: A2 PART NO: 61449-01 REV: C		

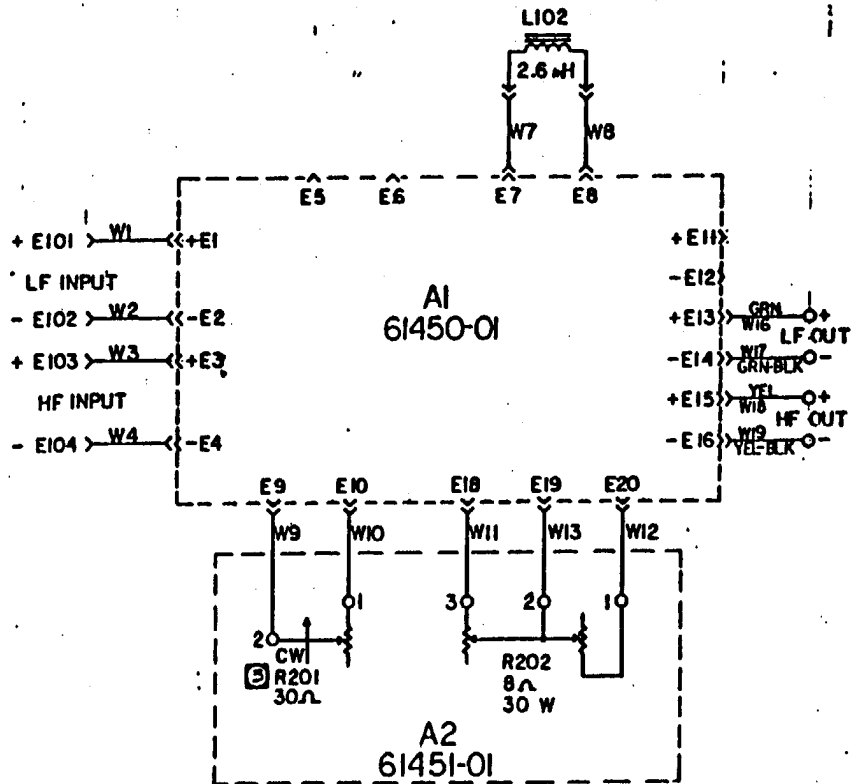
FILE COPY

Page 1 of 3

3134

THESE DIMENSIONS AND SPECIFICATIONS ARE THE PROPERTY OF JAMES B. LAWSONG SOUND, INC. AND ARE MADE IN STRICT CONFIDENCE AND SHALL NOT BE DISCLOSED EXCEPT TO USERS OF THE SAME FOR MANUFACTURE OR SALE OF APPLICABLE EQUIPMENT WITHOUT WRITTEN PERMISSION.

REVISIONS						
CHG	LTR	DESCRIPTION	DRFT	CHK	DATE	APPR
X-0182	A	MFG PROTOTYPE RUN NO. 1			1-11-81	WJ
188	B	REV PER PDCN			8-9-81	WJ
M-0182	C	REL FOR PRODUCTION			1-11-81	WJ
211		REV PER PDCN				WJ



- ① POTENTIOMETER OPEN IN EXTREME COUNTERCLOCKWISE POSITION.
 ② COMPONENTS NOT PCB MOUNTED.
 1. RESISTORS ARE WIREWOUND, 10 W, 10%.
- NOTES: (UNLESS OTHERWISE SPECIFIED)

ITEM	PART NO.	DESCRIPTION	QTY	REMARKS
BILL OF MATERIAL				
<small>UNLESS OTHERWISE SPECIFIED DIMENSIONS ARE IN MILLIMETERS ON THE DECIMALS OF MILLIMETERS OR IN INCHES THICKNESS 0.001 INCHES</small> TOLERANCES UNLESS OTHERWISE SPECIFIED DECIMALS: ±0.10 (1st digit) ±0.05 (2nd digit) ±0.02 (3rd digit)		MATERIAL: <i>4</i> FINISH: <i>4</i> MODEL USED ON: <i>313-3</i> ALL DIMENSIONS AND FINISHES DIMENSIONS DO NOT SCALE DRAWING		
<small>UNLESS OTHERWISE SPECIFIED DIMENSIONS ARE IN MILLIMETERS ON THE DECIMALS OF MILLIMETERS OR IN INCHES THICKNESS 0.001 INCHES</small> TOLERANCES UNLESS OTHERWISE SPECIFIED DECIMALS: ±0.10 (1st digit) ±0.05 (2nd digit) ±0.02 (3rd digit)		DRAWN: <i>1/25/80</i> CHECKED: <i>1-11-81</i> DATE: <i>1-11-81</i> SCALE: <i>1:1</i> JAMES B. LAWSONG SOUND, INC. A Harman International Company Northridge, California 91329 U.S.A. TITLE: SCHEMATIC - 3134 PART: A2 DRAWING NO: 61449-01 REV: C SCALE: _____ SHEET: _____ OF: 2		

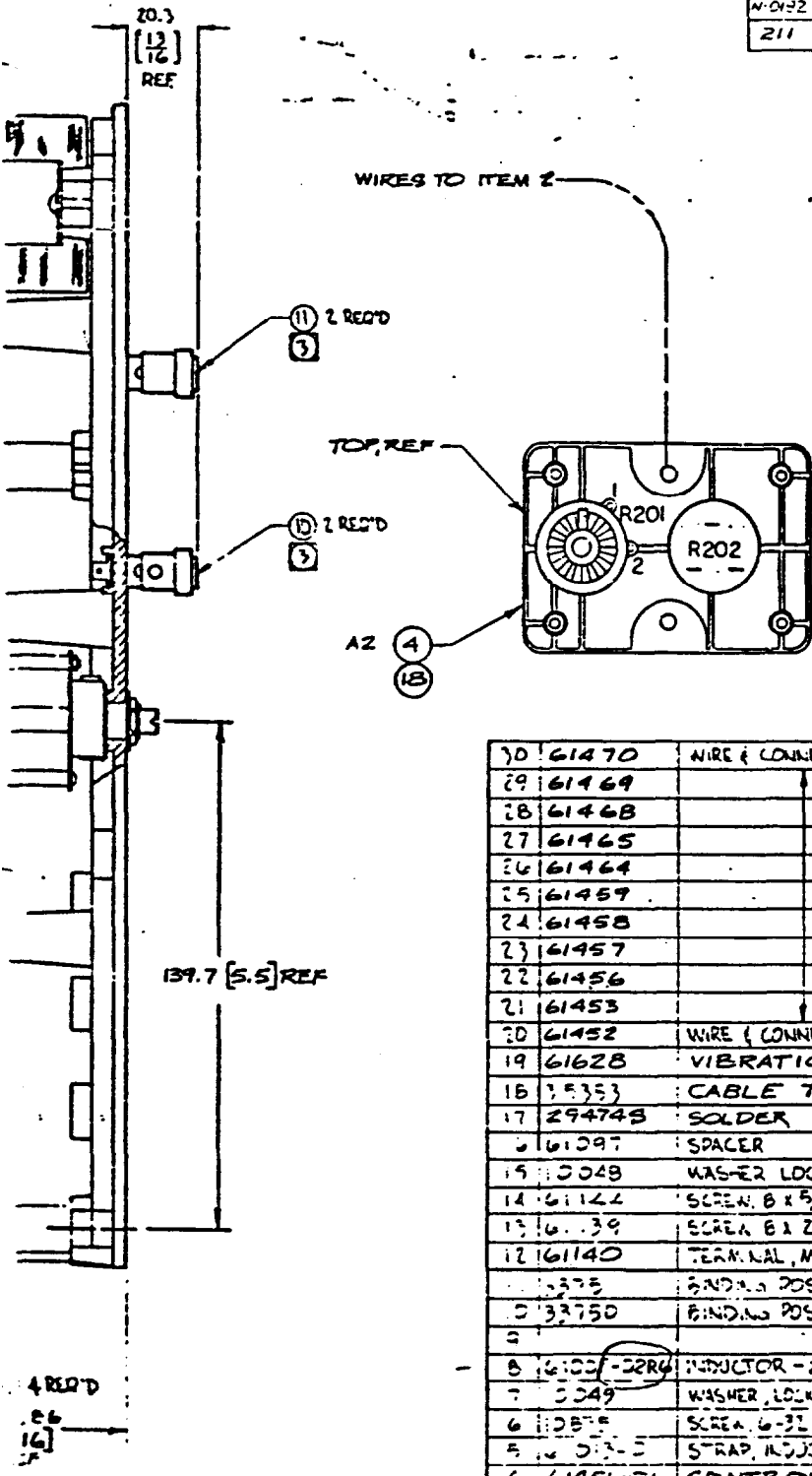
61449-01

Page 2 of 2

3134

CHG	LTB	DESCRIPTION	DIFF	CHK	DATE	APPR
162	B	DELETE NOTE 2, REV ITEM 19				
211	C	REL FOR PRODUCTION				
		61005-02RG WAS 61005-02R4				

3134
PAGE 3 OF 3



30	61470	WIRE & CONNECTOR ASSY	1	(57173) W16
29	61469		1	W18
28	61468		1	W18
27	61465		1	W12
26	61464		1	W13
25	61459		1	W11
24	61458		1	W10
23	61457		1	W9
22	61456		2	W7,B
21	61453		2	W2A
20	61452	WIRE & CONNECTOR ASSY	2	(57173) W13
19	61628	VIBRATION PAD	1	
18	29353	CABLE TIE	5	
17	294748	SOLDER	4R	
16	61097	SPACER	4	
15	20048	WASHER LOCK, EXT. #8	2	
14	61122	SCREW, 6 x 5/8, TYPE AB PNH	8	
13	61139	SCREW, 6 x 3/4, TYPE AB PNH	4	
12	61140	TERMINAL, MALE	4	
11	3375	BINDING POST, BLACK	2	E102, E104
10	33750	BINDING POST, RED	2	E101, E103
9	61005-02RG	INDUCTOR - 2.6 mH	1	L102
7	20049	WASHER, LOCK EXT. #6	4	
6	20055	SCREW, 6-32 x 7/16, DNH	4	
5	20055	STRAP, ADJUSTOR	1	
4	61451-01	CONTROL PANEL ASSY	1	AZ
	61450	P.C. BOARD ASSY	1	A1
	207-06	MTG PANEL	1	

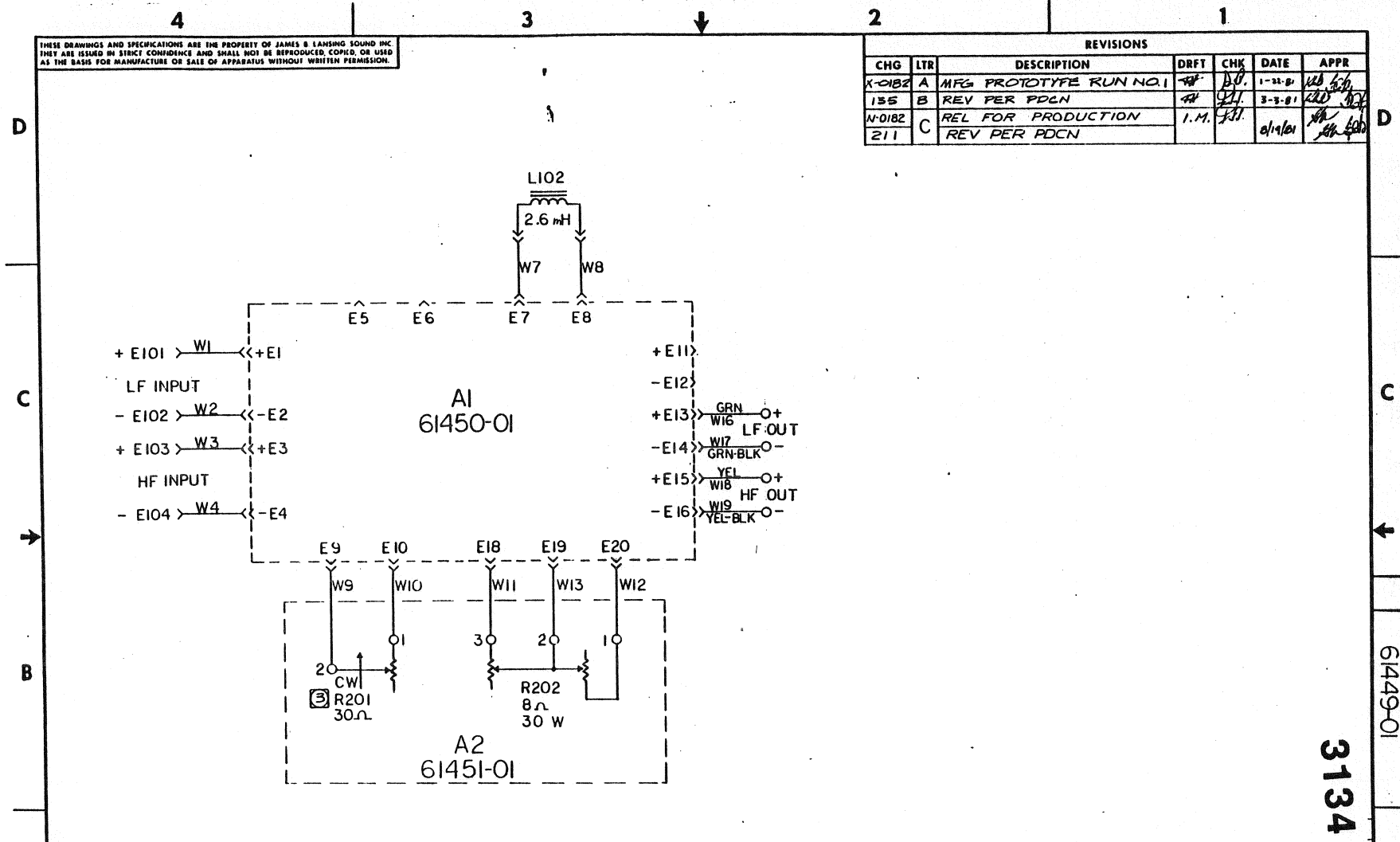
4 RES'D
26
16

ITEM	PART NO.	DESCRIPTION	QTY	REMARKS
BILL OF MATERIAL				
<small>UNLESS OTHERWISE SPECIFIED DIMENSIONS ARE IN INCHES AND WEIGHTS ARE IN GRAMS TOLERANCES UNLESS OTHERWISE SPECIFIED ANGLES ARE: Holes: .015 - .063 mm Holes: .063 - .125 mm Holes: .125 - .250 mm Holes: .250 - .500 mm Holes: .500 - 1.27 mm ALL DIMENSIONS ON THIS DRAWING ARE UNLESS OTHERWISE SPECIFIED DO NOT SCALE DRAWING</small>		<small>MATERIAL:</small> <small>FINISH:</small> <small>MODEL - 102 CA</small> 3134	<small>DATE:</small> 3/27/80 <small>DESIGNED BY:</small> [Signature] <small>CHECKED BY:</small> [Signature] <small>APPROVED BY:</small> [Signature]	<small>JAMES B. LANSING SOUND, INC.</small> <small>10000 10th Avenue, Company</small> <small>10000 10th Avenue, Company</small> <small>10000 10th Avenue, Company</small> WFD ITEM-3134 <small>DRAWING NO.</small> A1 61449 <small>REV</small> C

(57173) W17

THESE DRAWINGS AND SPECIFICATIONS ARE THE PROPERTY OF JAMES B. LANSING SOUND INC. THEY ARE ISSUED IN STRICT CONFIDENCE AND SHALL NOT BE REPRODUCED, COPIED, OR USED AS THE BASIS FOR MANUFACTURE OR SALE OF APPARATUS WITHOUT WRITTEN PERMISSION.

REVISIONS						
CHG	LTR	DESCRIPTION	DRFT	CHK	DATE	APPR
K-01B2	A	MFG PROTOTYPE RUN NO. 1	FR	BSP	1-22-81	WJL
135	B	REV PER PDCN	FR	YJL	3-3-81	WJL
N-01B2	C	REL FOR PRODUCTION	I.M.	KST	01/1/81	WJL
211		REV PER PDCN				WJL



3134

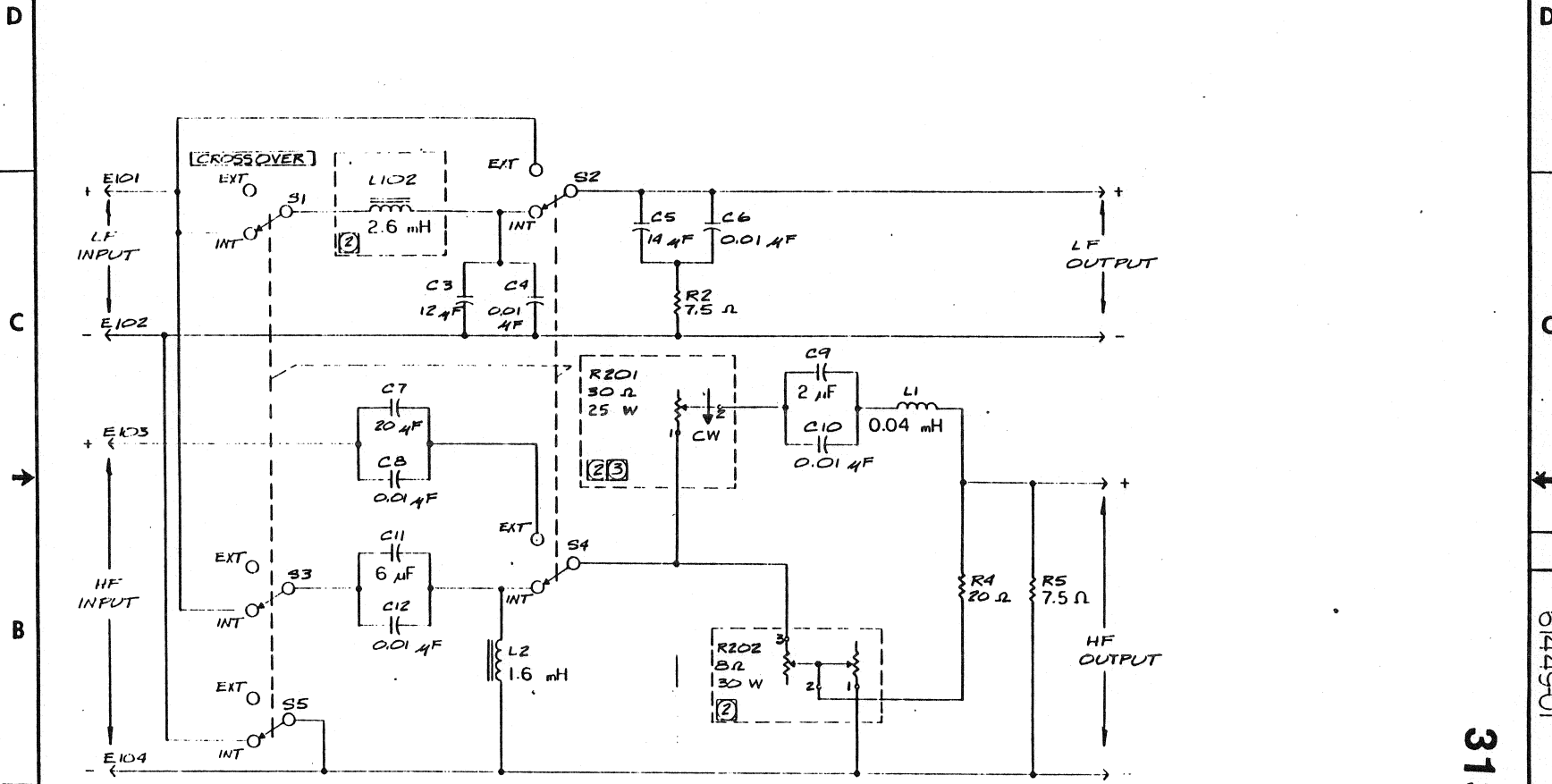
- ③ POTENTIOMETER OPEN IN EXTREME COUNTERCLOCKWISE POSITION.
 ② COMPONENTS NOT PCB MOUNTED.
 1. RESISTORS ARE WIREWOUND, 10 W, 10 %.

NOTES: (UNLESS OTHERWISE SPECIFIED)

ITEM	PART NO.	DESCRIPTION	QTY	REMARKS
BILL OF MATERIAL				
UNLESS OTHERWISE SPECIFIED DIMENSIONS ARE IN MILLIMETRES WITH INCH SIZES IN BRACKETS. BREAK SHARP EDGES 0.4 mm (0.016 inch)		MATERIAL	DRAWN 1/25/80	
TOLERANCES (UNLESS OTHERWISE SPECIFIED)		FINISH	CHECKED	
DECIMALS			DESIGNED	
0.1XX ± 0.13 (0.005 inch)			DATE 1/22 JAN 81	
X.XX ± 0.13 (0.005 inch)			ENGR. R. H. Ruppert	
X.X ± 0.13 (0.005 inch)			APPR. C. E. Ruppert	
FRACTIONAL U.S. DIMENSIONS: ± 1/32		MODELS USED ON	3134	
ALL DIMENSIONS ARE FINISHED DIMENSIONS DO NOT SCALE DRAWING				
TITLE		JAMES B. LANSING SOUND, INC. A Harman International Company Northridge, California 91329 U.S.A.		
SIZE		DRAWING NO.		
A2		61449-01		
SCALE		SHEET 1 OF 2		

THESE DRAWINGS AND SPECIFICATIONS ARE THE PROPERTY OF JAMES B. LANSING SOUND INC. THEY ARE ISSUED IN STRICT CONFIDENCE AND SHALL NOT BE REPRODUCED, COPIED, OR USED AS THE BASIS FOR MANUFACTURE OR SALE OF APPARATUS WITHOUT WRITTEN PERMISSION.

REVISIONS						
CHG	LTR	DESCRIPTION	DRFT	CHK	DATE	APPR
-	-	SEE SHEET ONE	CAF	AK	1/23/61	AK/CAF



SIMPLIFIED SCHEMATIC

3134

ITEM	PART NO.	DESCRIPTION	QTY	REMARKS								
BILL OF MATERIAL												
UNLESS OTHERWISE SPECIFIED DIMENSIONS ARE IN MILLIMETERS WITH INCH SIZES IN BRACKETS BREAK SHARP EDGES 0.4 mm (0.016 inch)		MATERIAL	DRAWN 11/25/60	<table border="1"> <tr> <td colspan="2">JAMES B. LANSING SOUND, INC.</td> </tr> <tr> <td colspan="2">A Harman International Company</td> </tr> <tr> <td colspan="2">Northridge, California 91329 USA</td> </tr> </table>	JAMES B. LANSING SOUND, INC.		A Harman International Company		Northridge, California 91329 USA			
JAMES B. LANSING SOUND, INC.												
A Harman International Company												
Northridge, California 91329 USA												
TOLERANCES (UNLESS OTHERWISE SPECIFIED)		FINISH	DATE 1/23/61									
XXX = 0.10 (0.004 inch)	ANGULAR	DESIGN	1/23/61									
XX = 0.25 (0.010 inch)		MODELS USED ON	3134									
X = 0.5 (0.020 inch)		ENGR	CAF									
FRACTIONAL U.S. DIMENSIONS: 2/32		APPR	AK									
ALL DIMENSIONS ARE FINISHED DIMENSIONS		<table border="1"> <tr> <td>TITLE</td> <td>SIZE</td> <td>DRAWING NO.</td> <td>REV</td> </tr> <tr> <td>SCHEMATIC-3134</td> <td>A2</td> <td>61449-01</td> <td>C</td> </tr> </table>			TITLE	SIZE	DRAWING NO.	REV	SCHEMATIC-3134	A2	61449-01	C
TITLE	SIZE	DRAWING NO.	REV									
SCHEMATIC-3134	A2	61449-01	C									
DO NOT SCALE DRAWING		<table border="1"> <tr> <td>SCALE</td> <td>SHEET 2 OF 2</td> </tr> </table>			SCALE	SHEET 2 OF 2						
SCALE	SHEET 2 OF 2											

NOTES:

61449-01

A

THIS DRAWING IS THE PROPERTY OF JAMES B. LANSING SOUND, INC. IT IS TO BE USED ONLY FOR THE MANUFACTURE OF THE PARTS SPECIFIED HEREON. IT IS NOT TO BE REPRODUCED OR COPIED IN ANY MANNER WITHOUT THE WRITTEN PERMISSION OF JAMES B. LANSING SOUND, INC.

REVISIONS						
CHG	LTR	DESCRIPTION	DRFT	CHK	DATE	APPR
X-0182	A	MFG PROTOTYPE RUN NO. 1	FR	AC	1-22-81	<i>[Signature]</i>
135	B	REV PER PCGN	FR	DL	3-3-81	<i>[Signature]</i>
N-0182	C	REL FOR PRODUCTION		I.M.	8/98	<i>[Signature]</i>

ITEM	LEAD DESCRIPTION					DESTINATION (REF TO M/I DWG)		REMARKS
	WIRE P/N	SLEEVE P/N	CL	SIZE	COLOR	LENGTH mm [in]	FROM TO	
1	61452				RED		E101 A1-E1	+ INPUT, LF (W1)
2	61453				BLK-WHT		E102 A1-E2	- INPUT, LF (W2)
3	61452				RED		E103 A1-E3	+ INPUT, HF (W3)
4	61453				BLK-WHT		E104 A1-E4	- INPUT, HF (W4)
5								
6								
7	61456				BLK		L102 A1-E7	(W7)
8	61456				BLK		L102 A1-E8	(W8)
9	61457				BLK		A2-R201-2 A1-E9	HF POT (W9)
10	61458				ORN		A2-R201-1 A1-E10	HF POT (W10)
11								
12	61459				BLK-WHT		A2-R202-3 A1-E18	L-PAD (W11)
13	61464				RED-WHT		A2-R202-2 A1-E19	L-PAD (W13)
14	61465				BRN		A2-R202-1 A1-E20	L-PAD (W12)
15								
16	61470				GRN		A1-E13 LF (+)	(W16)
17	61471				GRN-BLK		A1-E14 LF (-)	(W17)
18								
19								
20	61468				YEL		A1-E15 HF (+)	(W18)
21	61469				YEL-BLK		A1-E16 HF (-)	(W19)

3134

61449-02

WIRE COLOR CODE:
 BLK = BLACK GRN = GREEN
 WHT = WHITE GRA = GRAY
 BLU = BLUE ORN = ORANGE
 YEL = YELLOW VIO = VIOLET

KEY:
 CL = COMPONENT LEAD
 LF = LOW FREQUENCY OUTPUT
 MF = MID FREQUENCY OUTPUT
 HF = HIGH FREQUENCY OUTPUT

NOTES: (UNLESS OTHERWISE SPECIFIED)

ITEM	PART NO	DESCRIPTION	QTY	REMARKS
BILL OF MATERIAL				
TOLERANCES UNLESS OTHERWISE SPECIFIED: DECIMALS .13 .015 .03 FRACTIONS 3/32 3/64 1/16 ANGLES .125 .25 .375 .500		DATE: 1/22/81 DRAWN BY: [Signature] CHECKED BY: [Signature] DATE: 22 JAN 81 APPROVED BY: [Signature]		
ALL DIMENSIONS ARE FINISHED DIMENSIONS DO NOT SCALE DRAWING		JAMES B. LANSING SOUND, INC. 1000 W. 10TH AVENUE DENVER, CO 80202 TITLE: WIRE LIST-3134 PART NO: A2 DRAWING NO: 61449-02 REV: C		